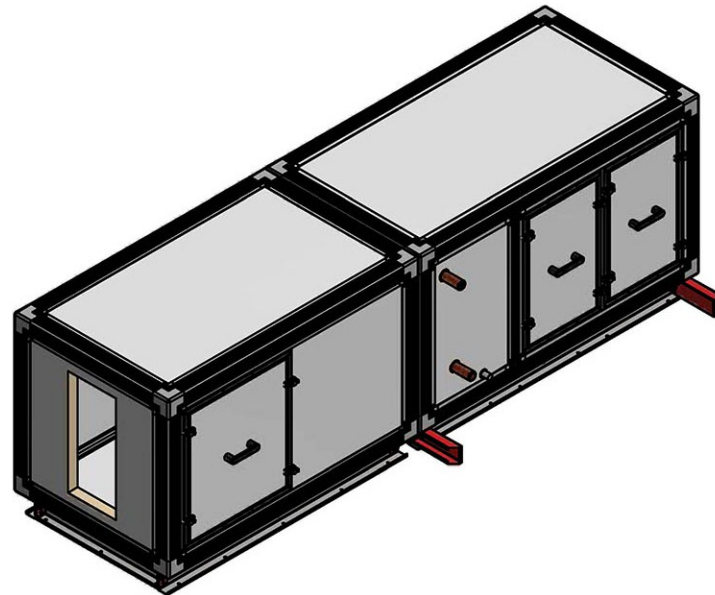
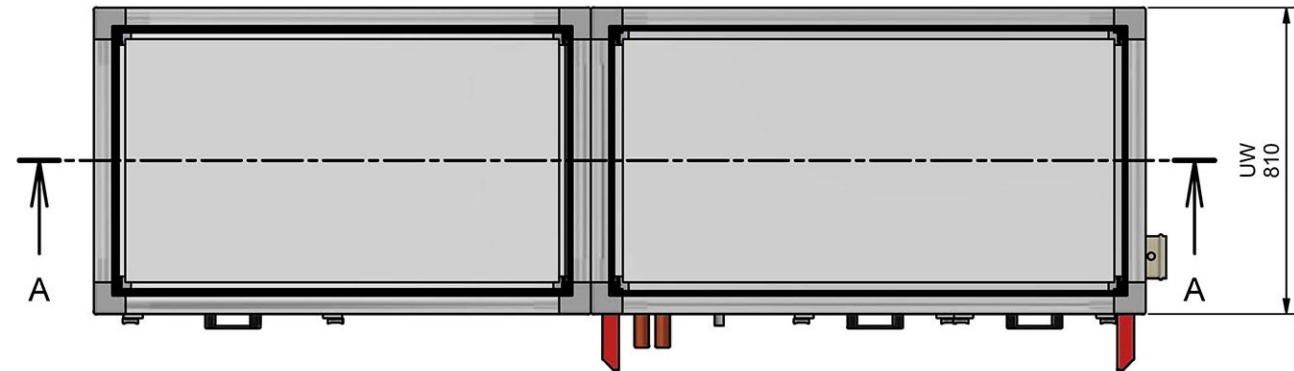
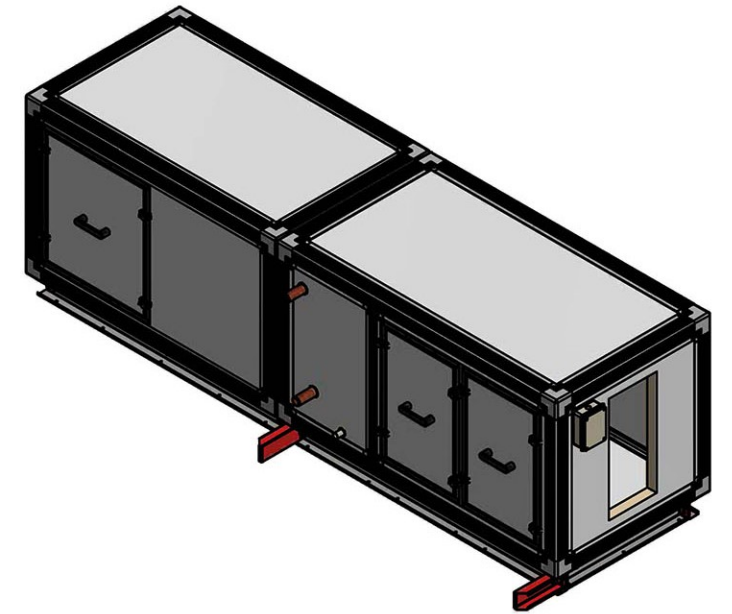


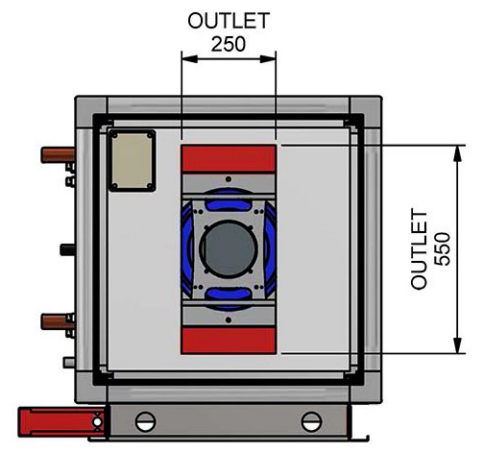
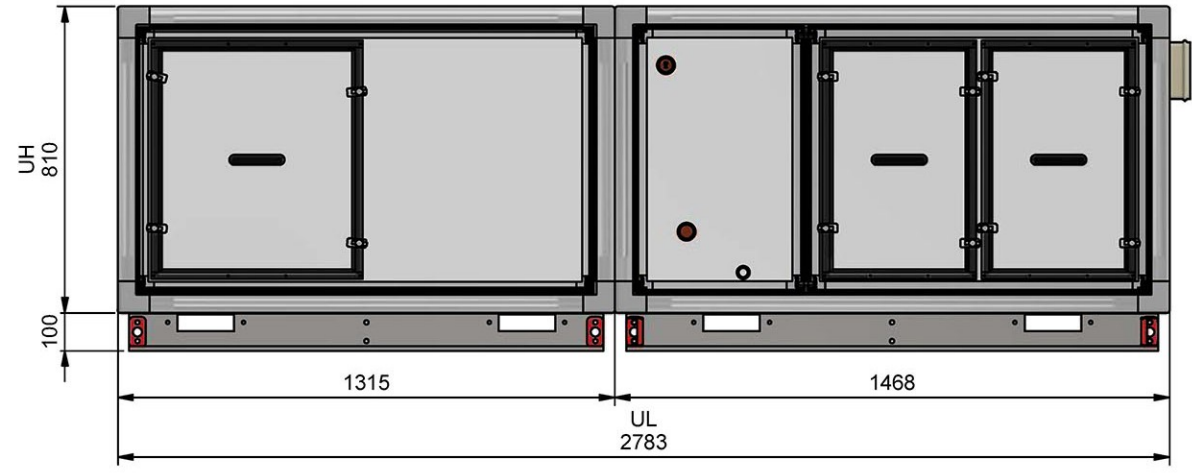
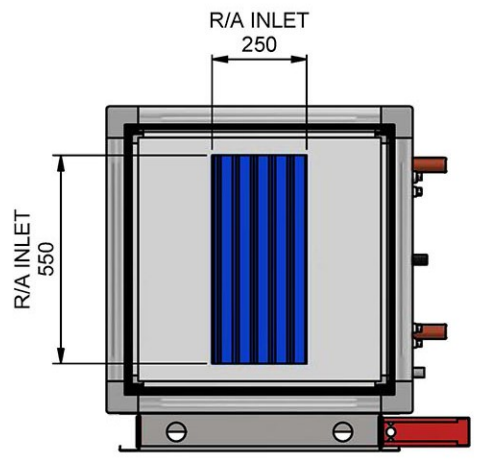
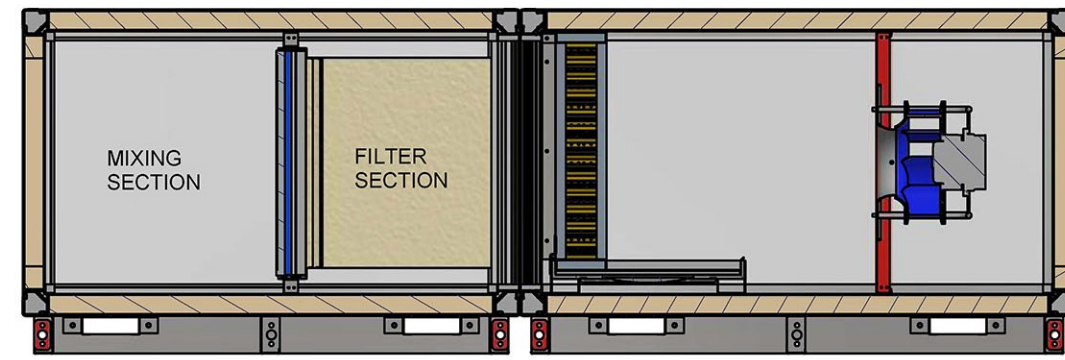
VIEW ISO 1 ( 1 : 28 )




VIEW ISO 2 ( 1 : 28 )



A-A ( 1 : 20 )



MAX R/A INLET (HORIZONTAL) : 570X570MM  
 MAX O/A INLET (VERTICAL) : 480X570MM  
 MAX S/A (HORIZONTAL) : 570X300MM  
 MAX S/A (VERTICAL) : 320X585MM

UNLESS OTHERWISE SPECIFIED  
 DIMENSIONS ARE IN MILLIMETERS  
 BREAK AND DEBUR ALL SHARP EDGES  
  
 3rd ANGLE PROJECTION  
 DO NOT SCALE DRAWING

Rev	By	Date	Description
/00	Toh	22/03/2017	Initial Released

Fantech Pty Ltd. © A.C.N. 005 434 024  
 45 NESTOR DRIVE, MEADOWBROOK, QUEENSLAND, AUSTRALIA, 4131  
 TELEPHONE: (07) 32 999 888 FACSIMILE: (07) 32 999 800

DRAWN: Toh DATE: 22/3/2017  
 CHKED: Sean DATE: --  
 APPRD: JT DATE: --

General Layout  
 ME2B-H202/G3-FPL,  
 GR08(115667)x1

DRAWING NO: 868-8030-1202 REV: /00 SCALE: 1 : 20 SIZE: A3